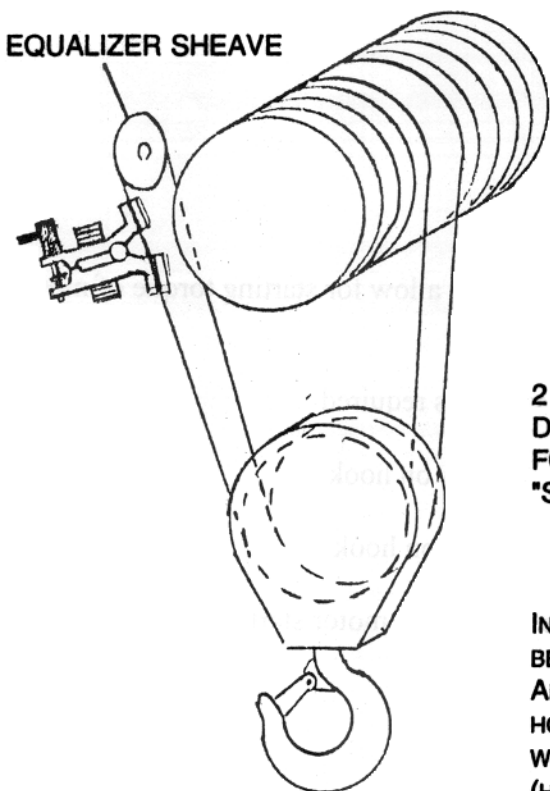


FOR ALL SINGLE REEVED HOISTS - INSTALL  
"SAF-LIFT" NEXT TO ROPE ANCHOR



2 PART  
DOUBLE REEVED  
FOR ALL DOUBLE REEVED HOISTS, INSTALL  
"SAF-LIFT" NEXT TO EQUALIZER SHEAVE

IN ALL CASES - LEAVE 1" MINIMUM CLEAR  
BETWEEN ROPE ANCHOR OR EQUALIZER-SHEAVE.  
ADJUST UPPER LIMIT SWITCH TO PREVENT  
HOOK BLOCK FROM TOUCHING "SAF-LIFT"  
WITH ADEQUATE CLEARANCE (APPROX. 2")  
(HIGH SPEED TRAVEL AT NO LOAD).

TYPICAL SAF-LIFT INSTALLATION METHODS

**INDUSTRIAL POWER & CONTROL INC.**

P.O. Box 1712, Guelph, Ontario N1H 6Z9

(519) 822-2020 - Fax (519) 822-2140

**SAF-T-BAR®**

Insulated  
Electrification Systems