

# Apron Way Covers

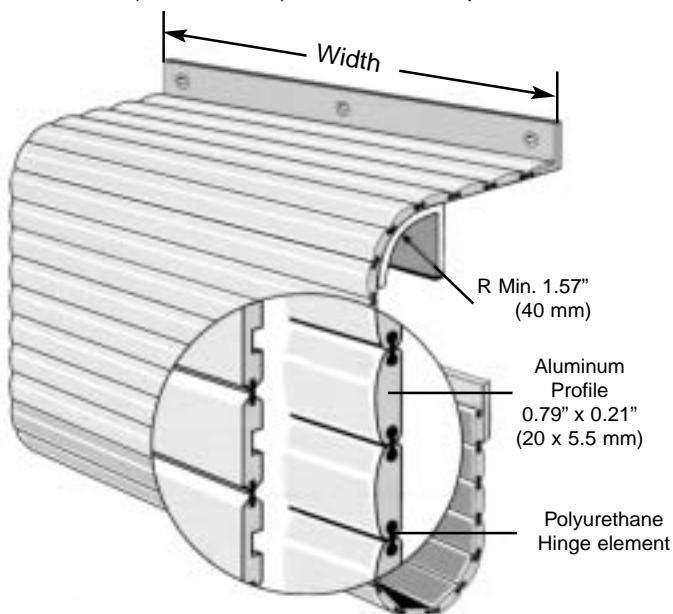
## Low-cost, long-life machine slideway protection

KabelSchlepp's unique way cover system helps maximize machine tool investment.

**1** Simple angle mounting of the apron can be used when the free end does not touch floor.

**2** Apron Covers can be mounted by use of an angle and/or flat mounting brackets. Standard mounting holes are 5/16" diameter for 1/4" mounting screws. Fastening to end link of the apron cover is also possible. If necessary, a roll-up mechanism can also be employed as an option.

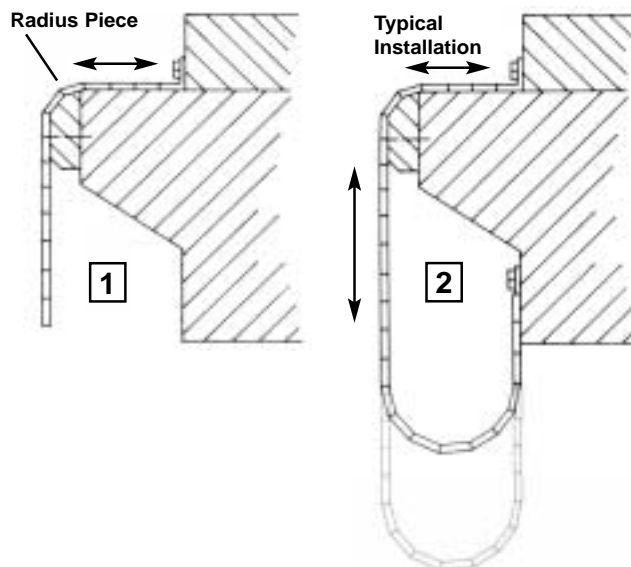
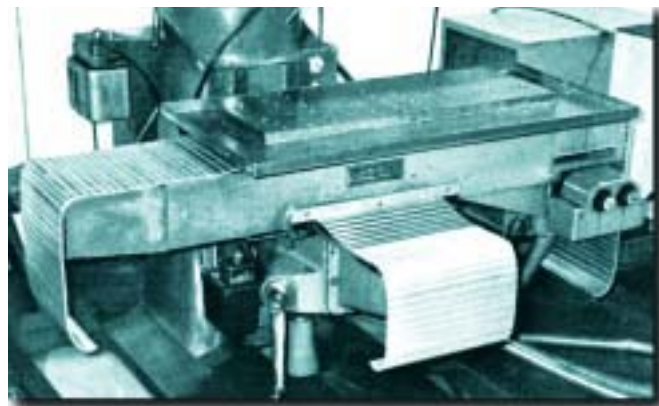
**3** **HOW TO ORDER?** Please specify the required *length* and *width*. Maximum width 72". Standard aluminum mounting 90° angles (3/4" x 3/4" x 1/8") and flat brackets (1-1/4" x 1/8") riveted to the apron are available.



Angle mounting bracket



Flat mounting bracket



### Key Advantages:

- High strength aluminum extrusions provide positive protection of machine ways from hot chips, abrasives and other wear-causing agents.
- Aluminum elements interlocked with durable, long-lasting polyurethane hinge elements.
- May be used as an alternative to a telescopic way cover.
- Requires a minimum amount of space.
- Low-cost solution to potential high-cost repair or replacement.
- Simple and quick mounting.
- Helps assure long maintenance-free guideway life.